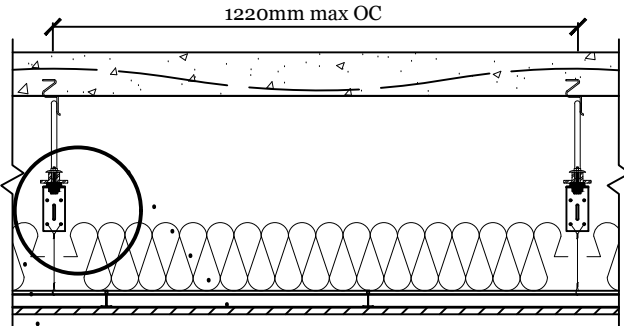
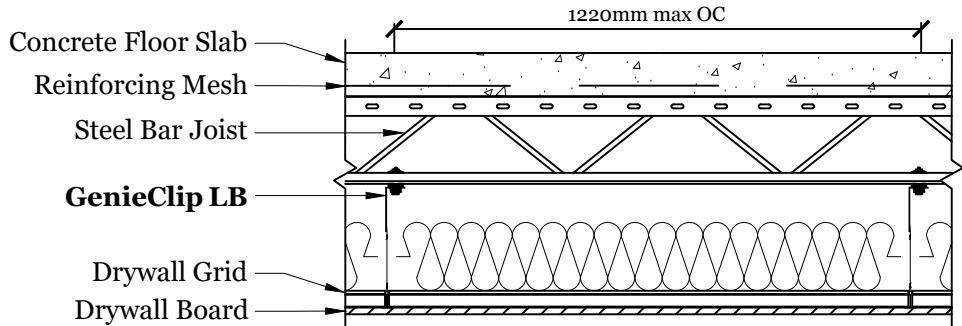


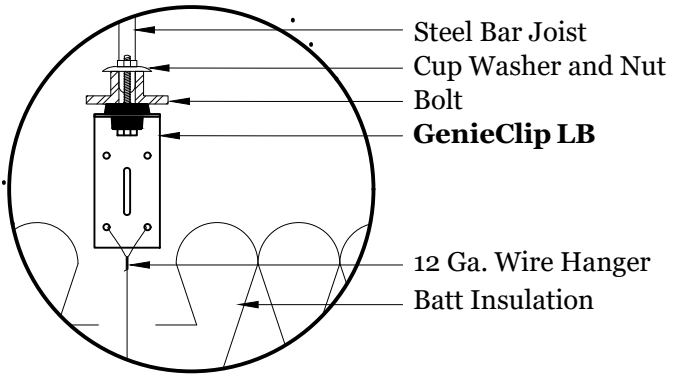
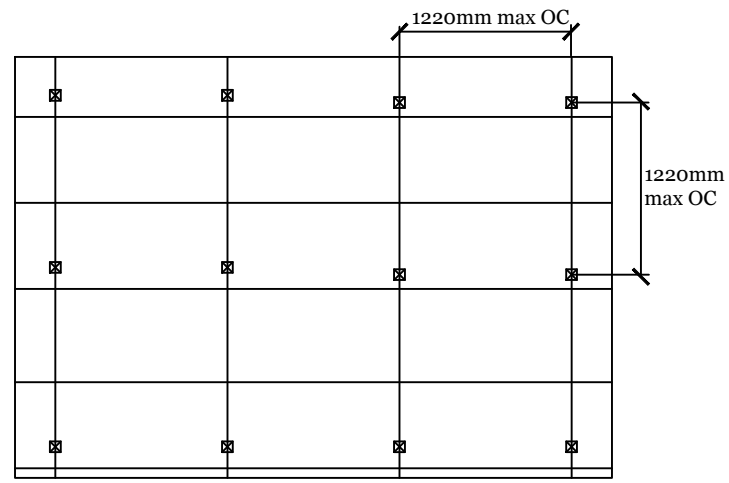
PROFILE VIEW



FRONT VIEW



PLAN VIEW



Main Tee: North - South
Cross Tee: East - West



Phone: +61 390187696
info@pliteq.com.au

GENERAL NOTES:

The information provided in this drawing is accurate to the best of our knowledge at the time of printing. However, we reserve the right to make changes when necessary without notification.

© Pliteq Asia Pacific PTE LTD. 2021.

Notes

PROJECT: GenieClip® LB Ceiling Suspension Series	
DRAWING: Composite Steel Bar Joist Floor to Drywall Grid Ceiling	
DRAWN BY: G. Hart	
DATE: 2017-01-10	DWG. NO.: LB14
SCALE: N/A	