



It's not magic, it's engineering.®

Impact and Airborne Sound Control

GENIECLIP®

Sound Isolation Clips



AUSTRALIA EDITION

GENIECLIP®

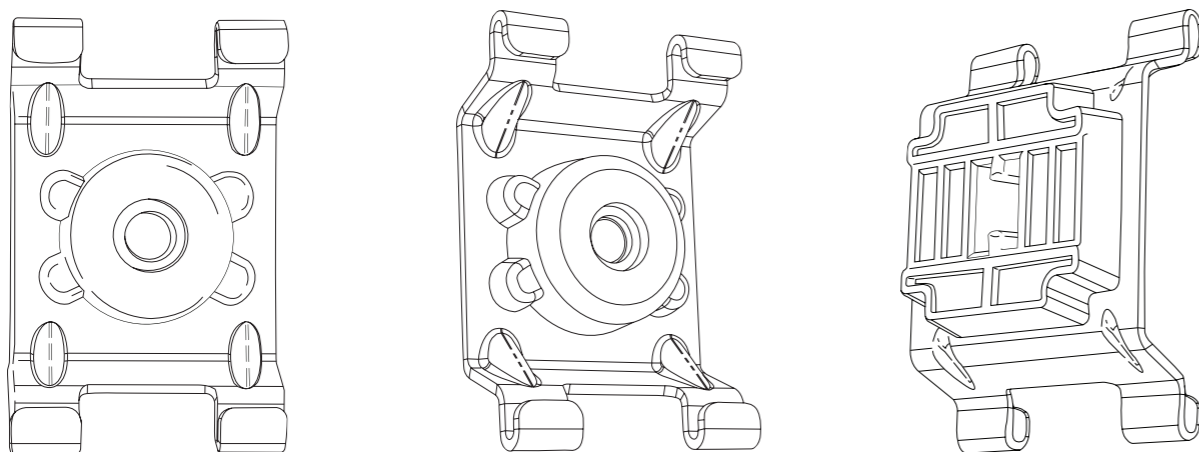
Innovative and reliable sound isolation

PRODUCT OVERVIEW

Engineered for superior acoustical performance in reducing the transmission of airborne and impact sound through wall and floor-ceiling assemblies.

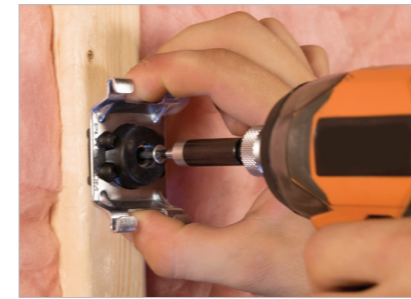
The **GenieClip RST** is a unibody molded rubber and galvanised steel mount used to attach plasterboard to either wall or floor-ceiling assemblies. Made from recycled components, and engineered to allow reduction in assembly weight, the **GenieClip** contributes to achieving NCC P5.4 & P5.5. Systems can also be designed to meet Section 9 of the AAAC “Guidelines for Apartment and Townhouse Acoustic Rating”.

The **GenieClip RST** is easy and fast to install using standard steel furring channel, and is extremely stable when held in place with a single fastener. There is nothing to adjust or site fit. The furring channel is simply snapped into the **GenieClip RST** and the plasterboard can be immediately installed.

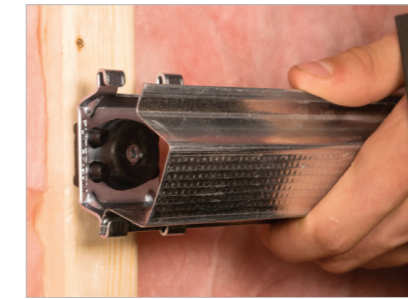


GenieClip RST Patents: US 7895803, US 9121469, CA 2552516, AU 2007276677, CN ZL200780034674.1, SG 149449, EU Patent Pending

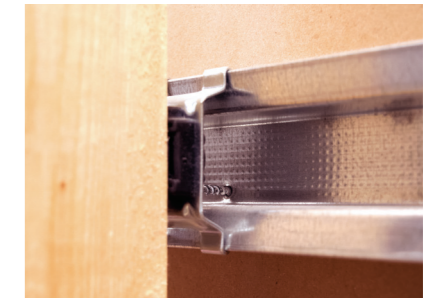
ENGINEERED TO WORK



Only one screw required to attach **GenieClip® RST** to wood or metal wall studs or floor joists

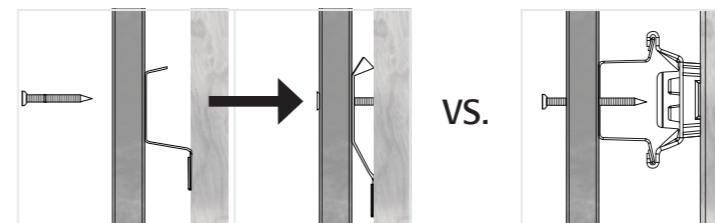


Engage standard 25 gauge drywall furring channel into either claw, then squeeze channel to engage the claw



GenieClip RST video:
<https://www.youtube.com/watch?v=C1y7ETzty50>

ENGINEERED TO BE FOOLPROOF



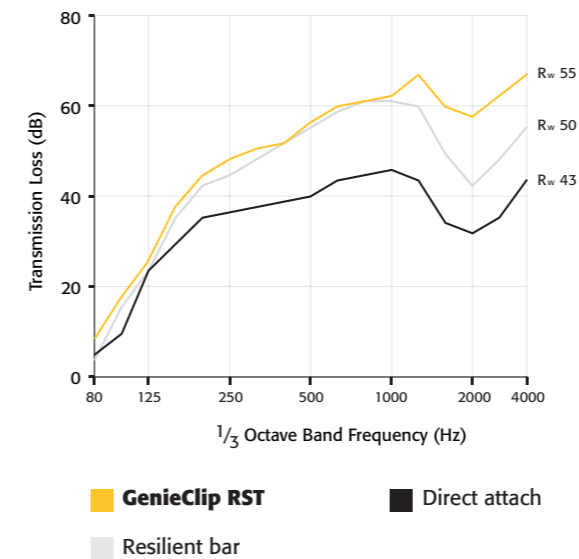
Resilient Bar Crushed

GenieClip RST

Resilient bar is commonly short circuited, whereas the **GenieClip RST** is impossible to short circuit.

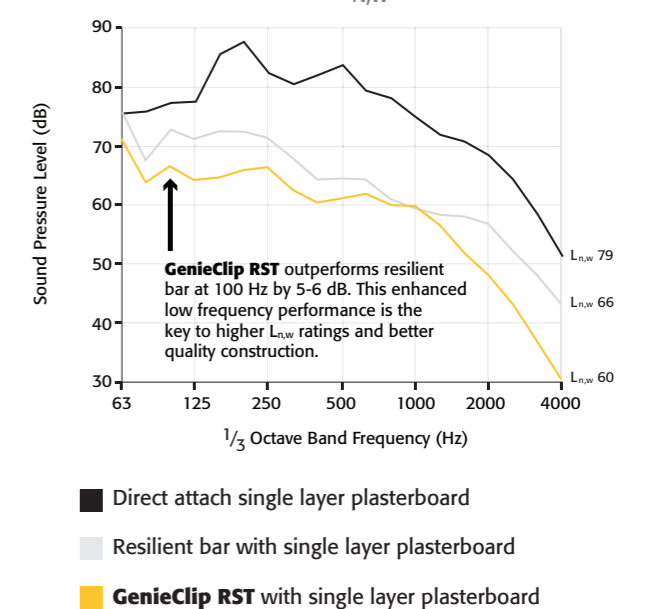
ENGINEERED TO REDUCE SOUND TRANSMISSION

LOW FREQUENCY AIRBORNE PERFORMANCE



Note: 92 mm metal stud wall, 1 layer of plasterboard on each side

SOLID TIMBER JOIST IMPACT PERFORMANCE $L_{N,W}$ COMPARISON

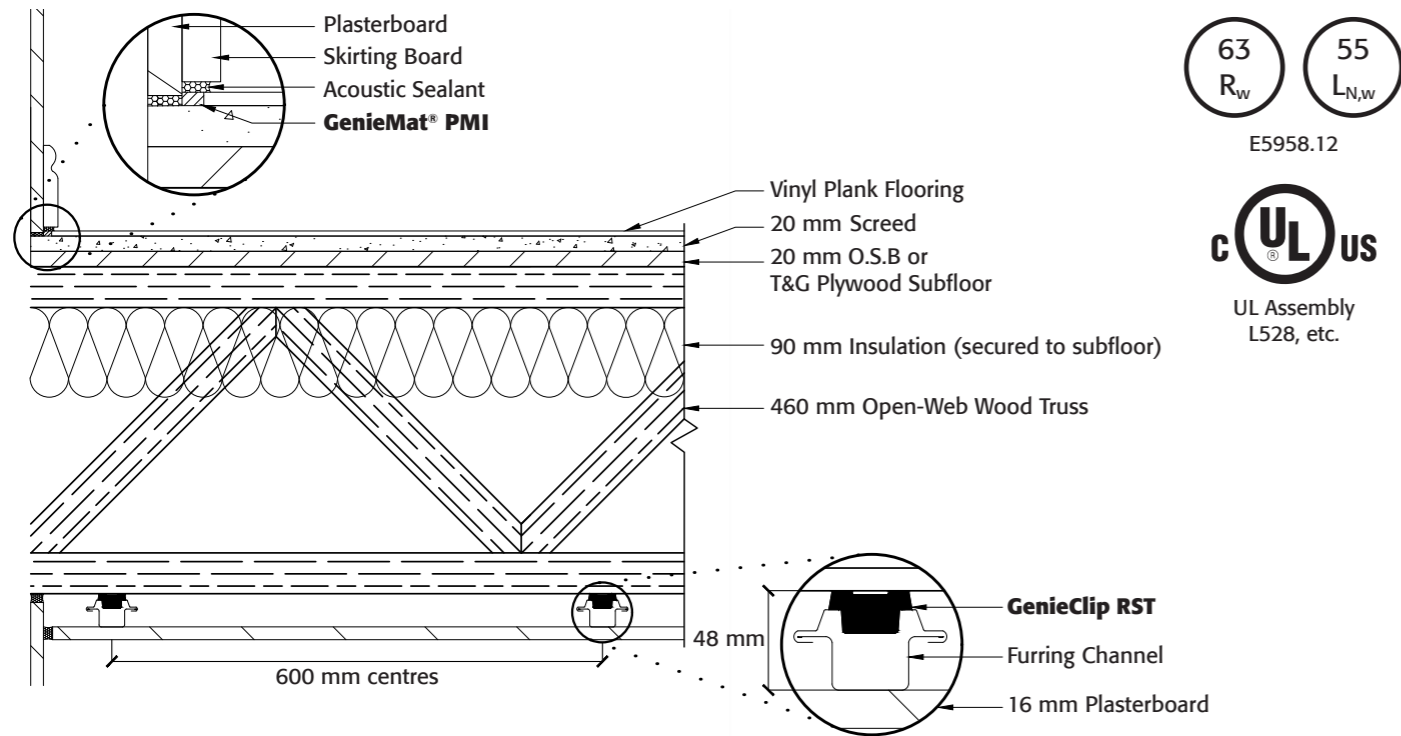


GenieClip RST outperforms resilient bar at 100 Hz by 5-6 dB. This enhanced low frequency performance is the key to higher $L_{N,W}$ ratings and better quality construction.

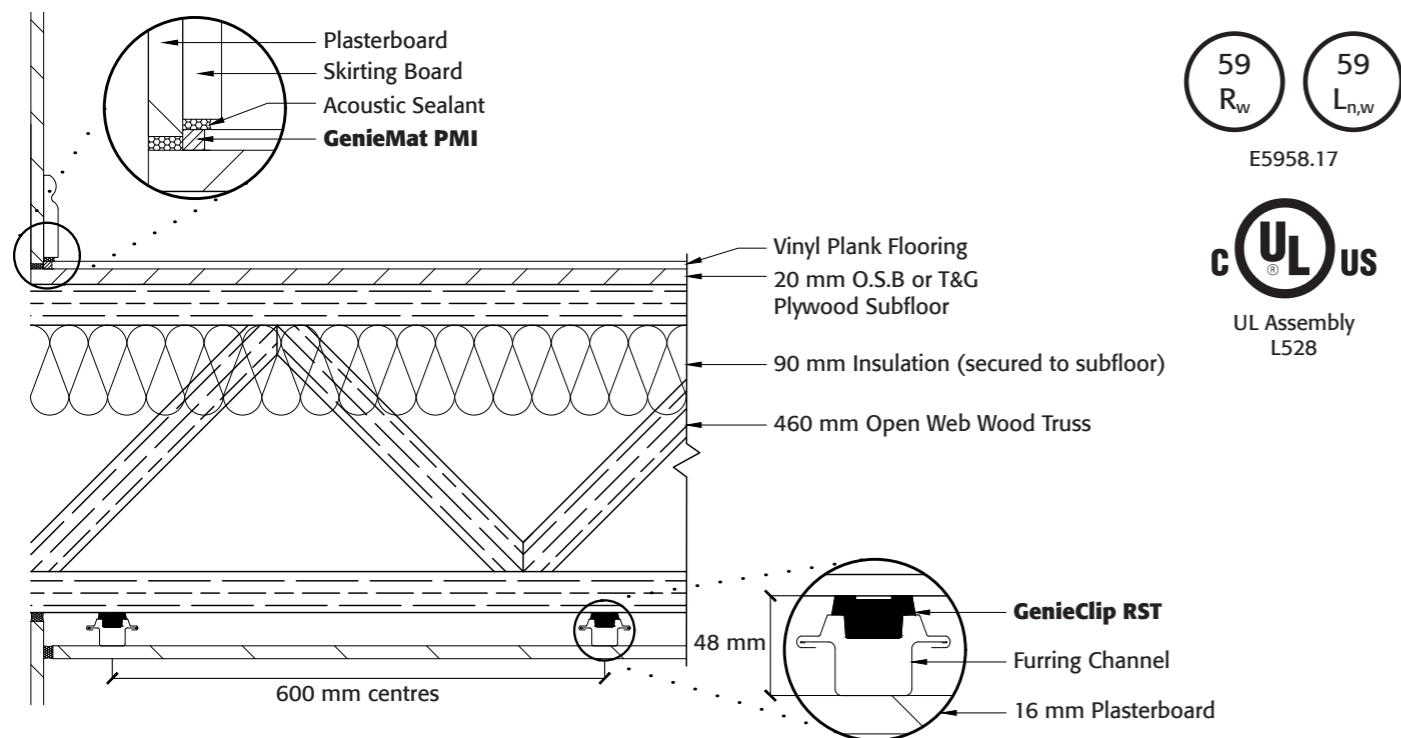
FLOOR-CEILING ASSEMBLIES

OPEN-WEB WOOD TRUSSES

Wood Truss with GenieClip® RST and Screed



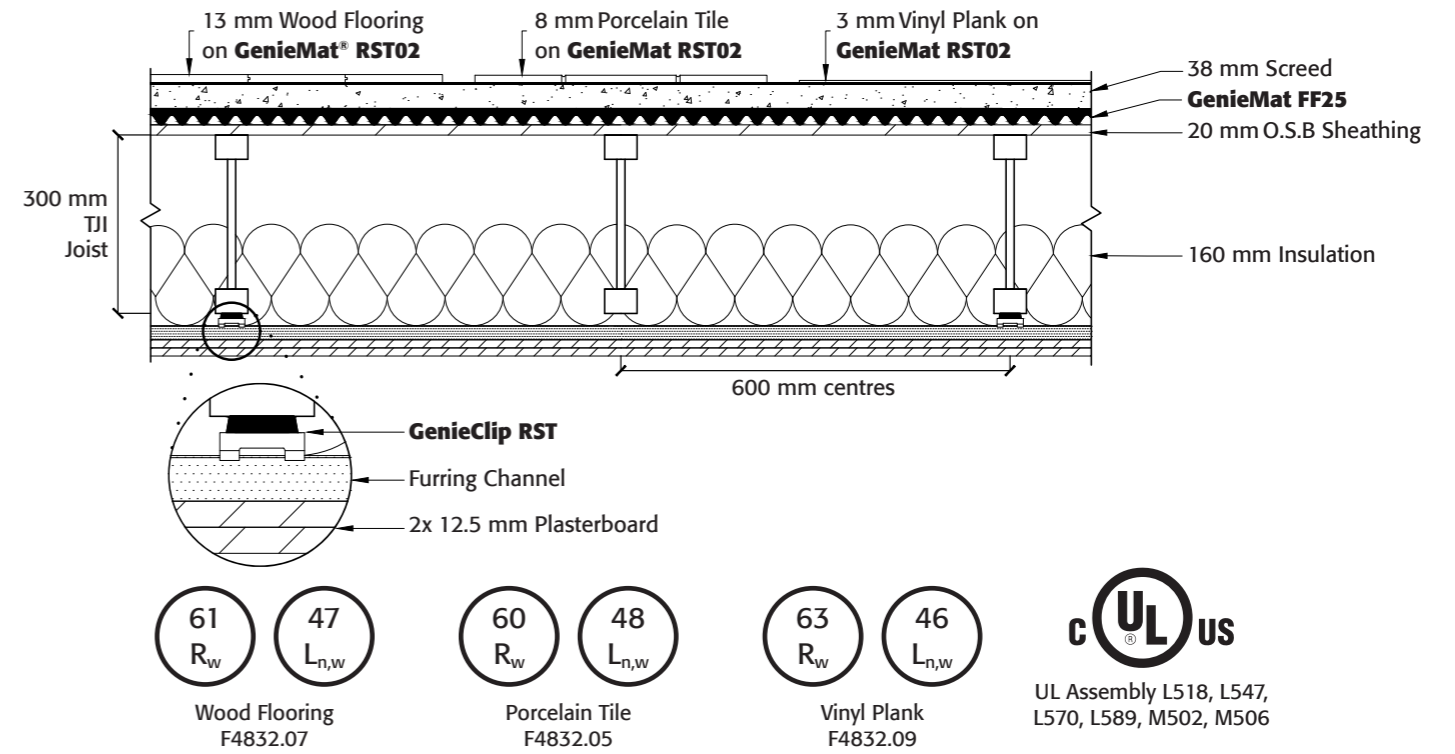
Wood Truss with GenieClip RST and NO Screed



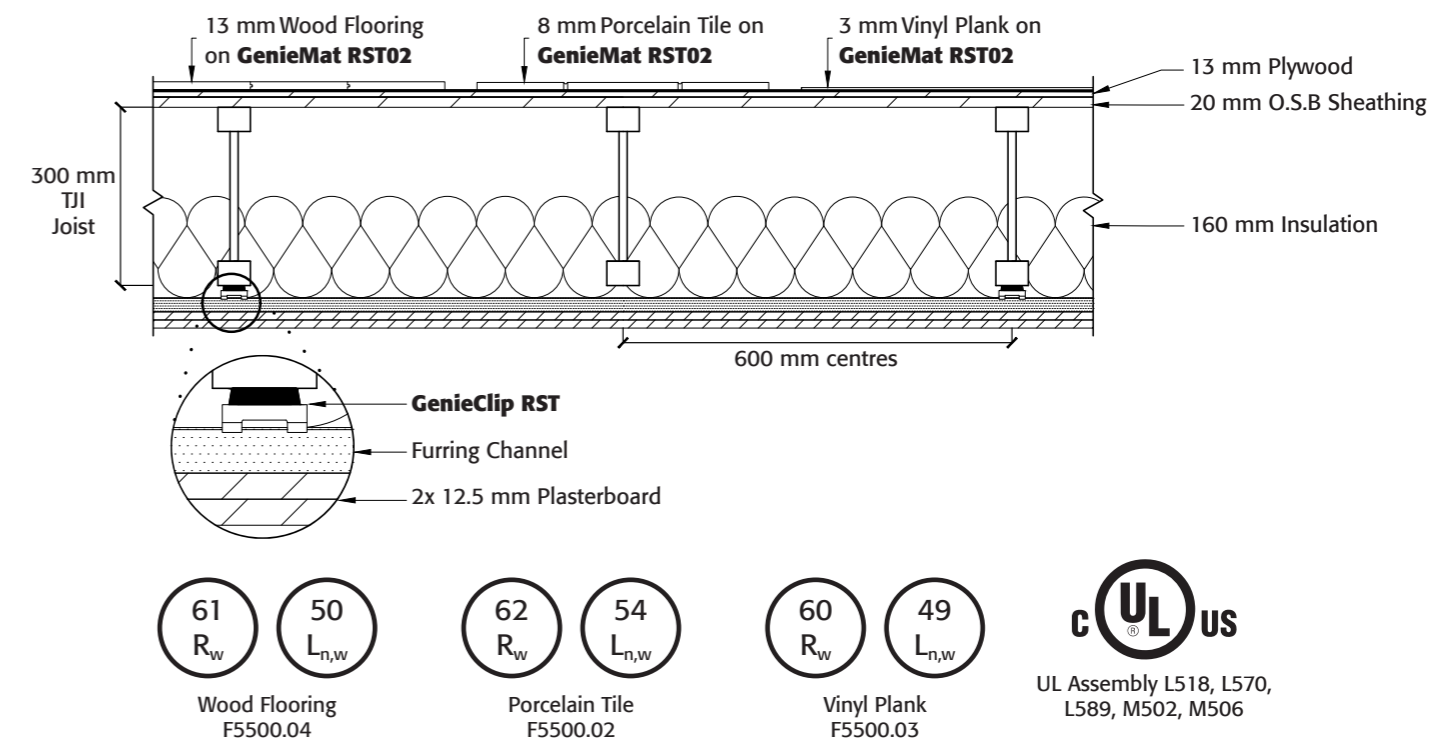
FLOOR-CEILING ASSEMBLIES

ENGINEERED JOISTS

TJI Floor Joist with GenieClip® RST and Screed



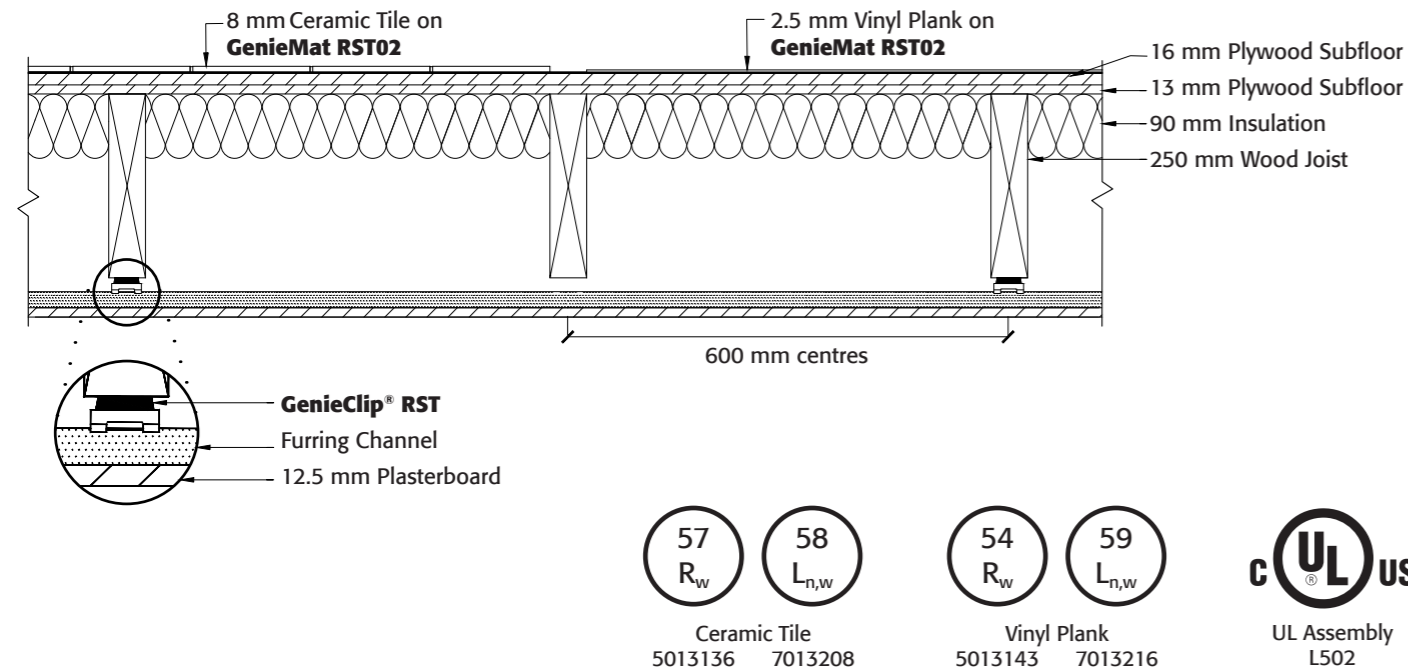
TJI Floor Joist with GenieClip RST and NO Screed



FLOOR-CEILING ASSEMBLIES

SOLID WOOD 50 X 250 mm JOIST

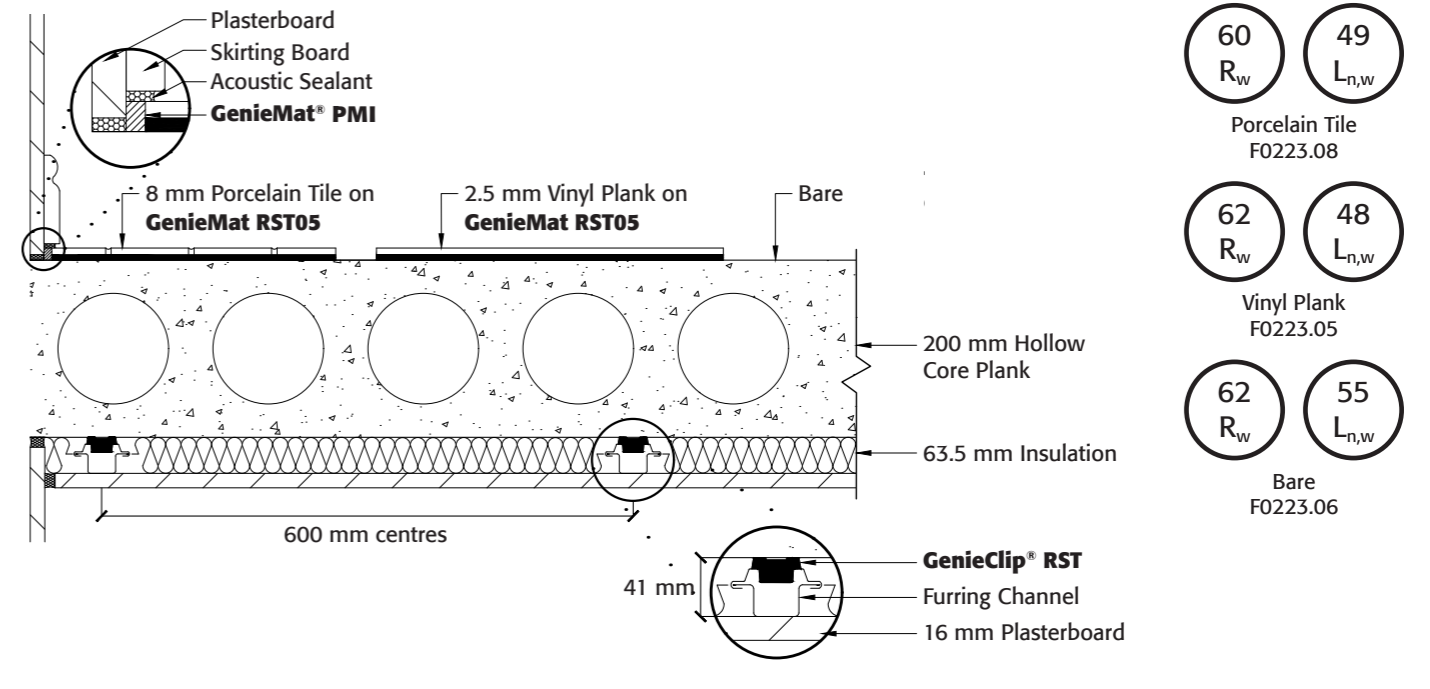
Solid Joist with NO Screed



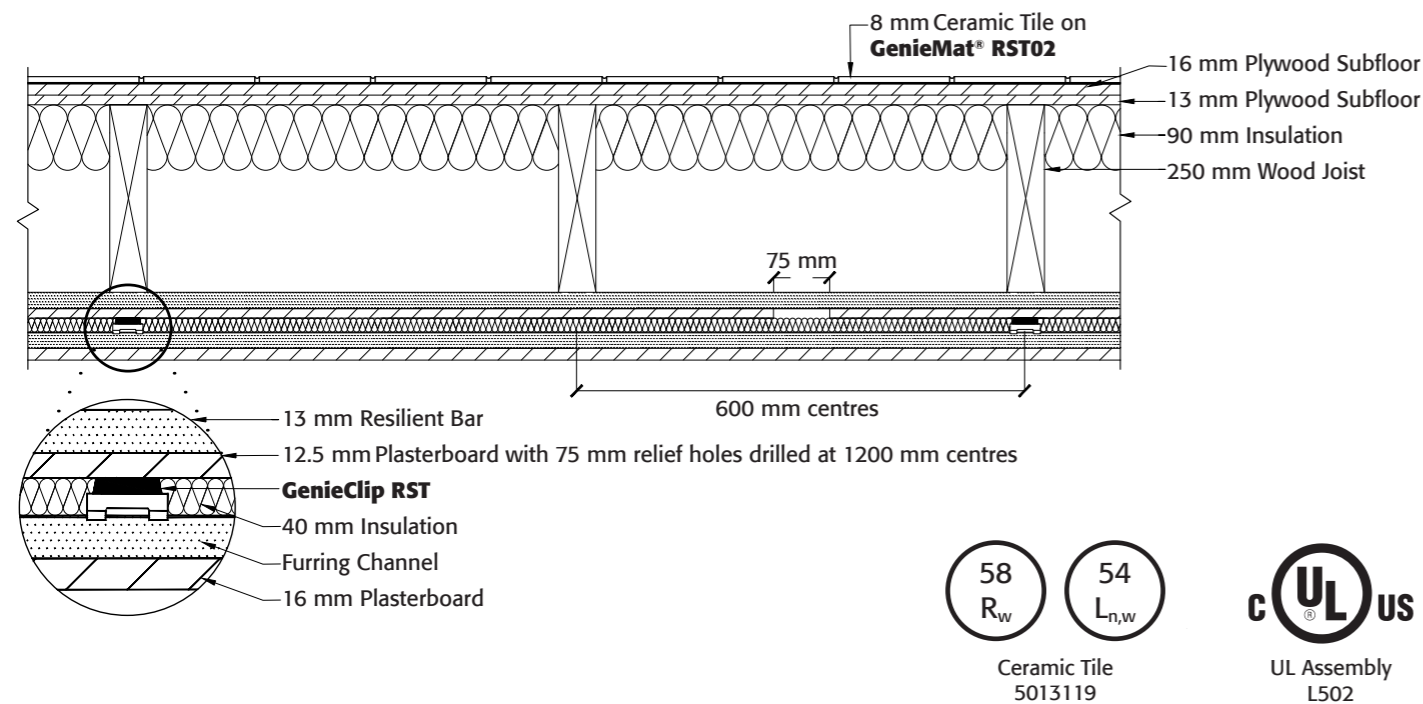
FLOOR-CEILING ASSEMBLIES

HOLLOW CORE PLANK

200 mm Hollow Core Plank

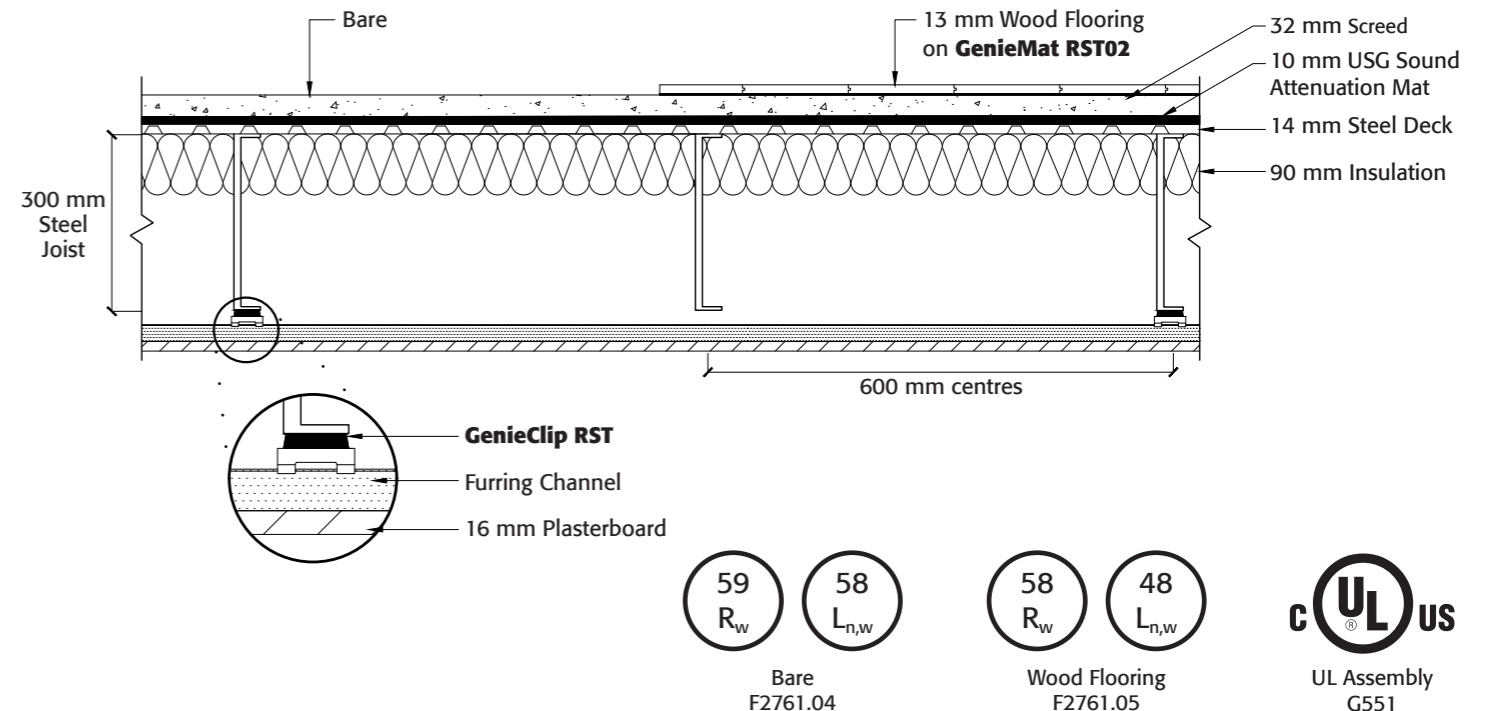


Solid Joist Retrofit Ceiling



STEEL FLOOR SYSTEMS

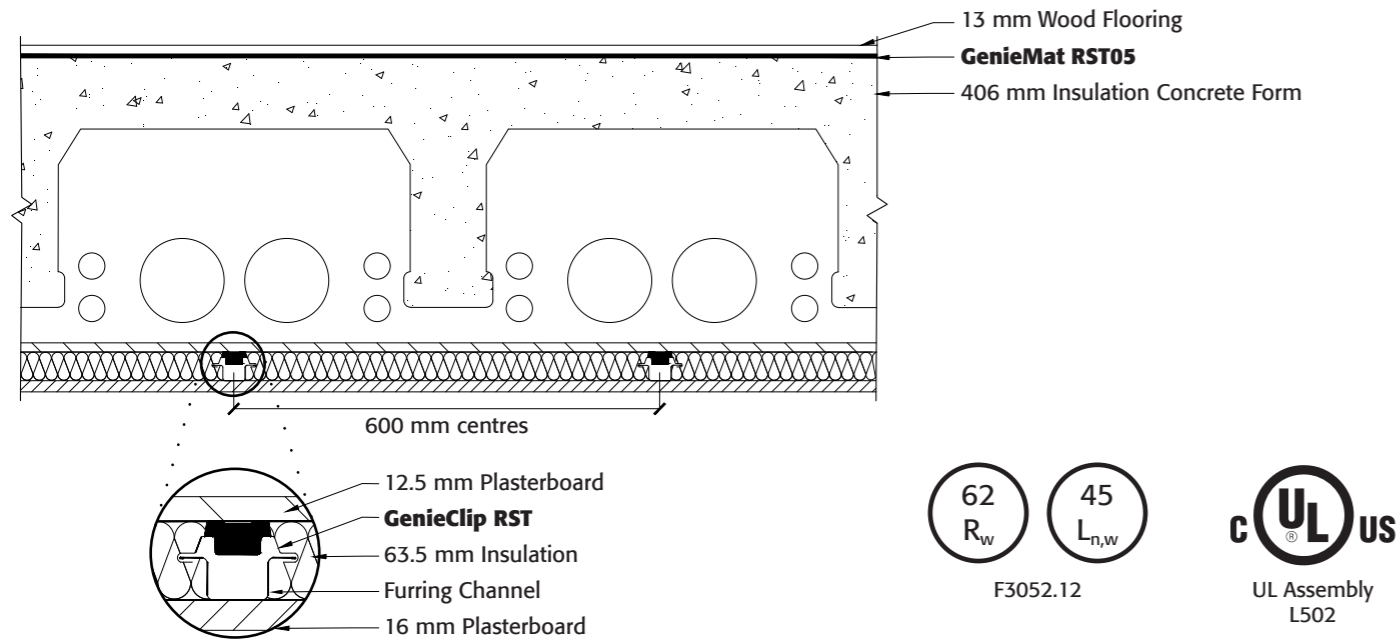
Steel Deck and Joist System



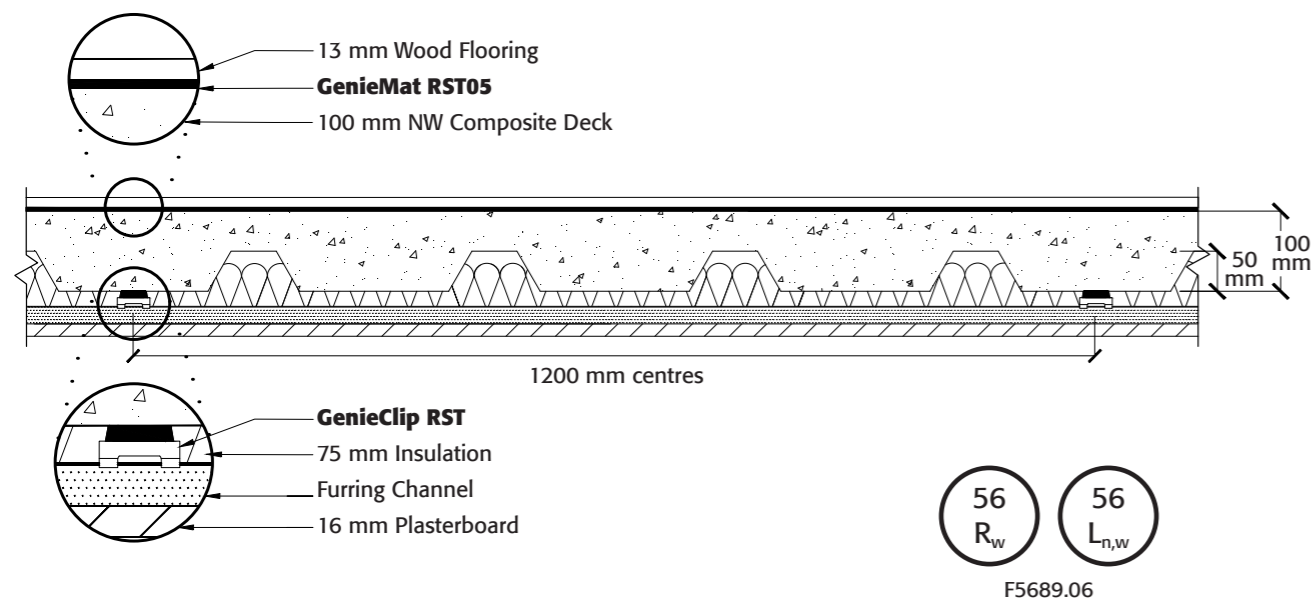
FLOOR-CEILING ASSEMBLIES

COMPOSITE FLOOR SYSTEMS

406 mm Insulated Concrete Form



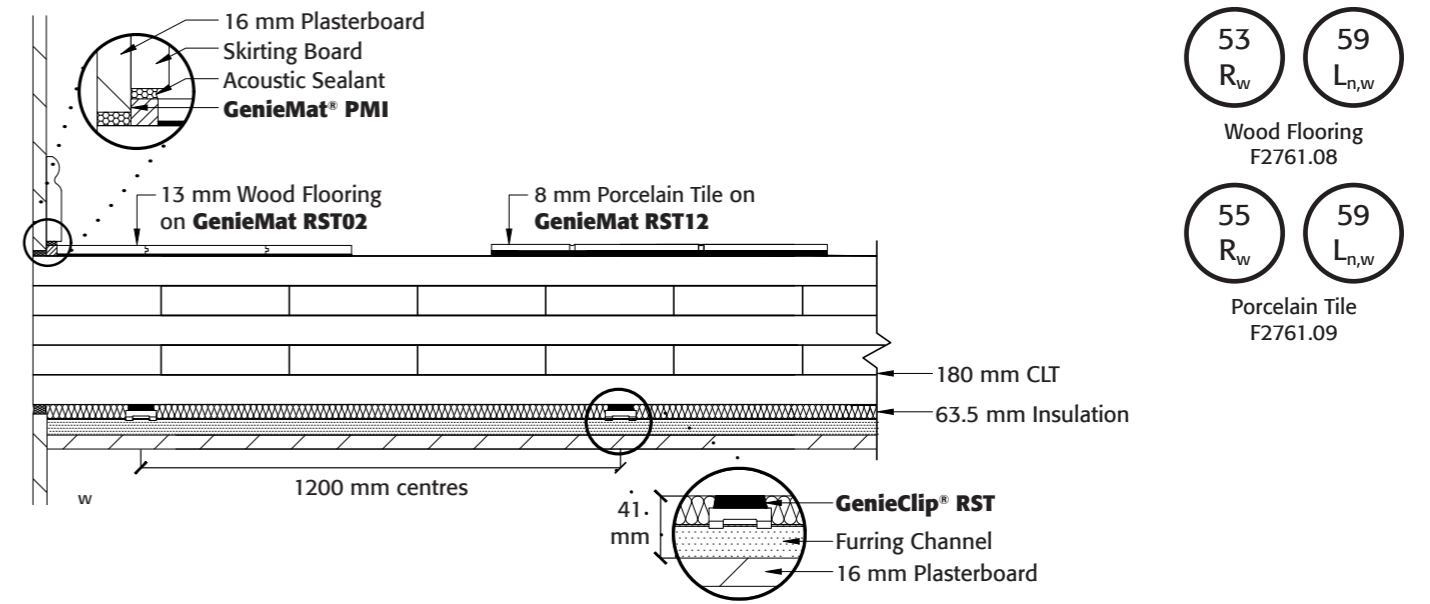
100 mm Normal Weight Composite Deck



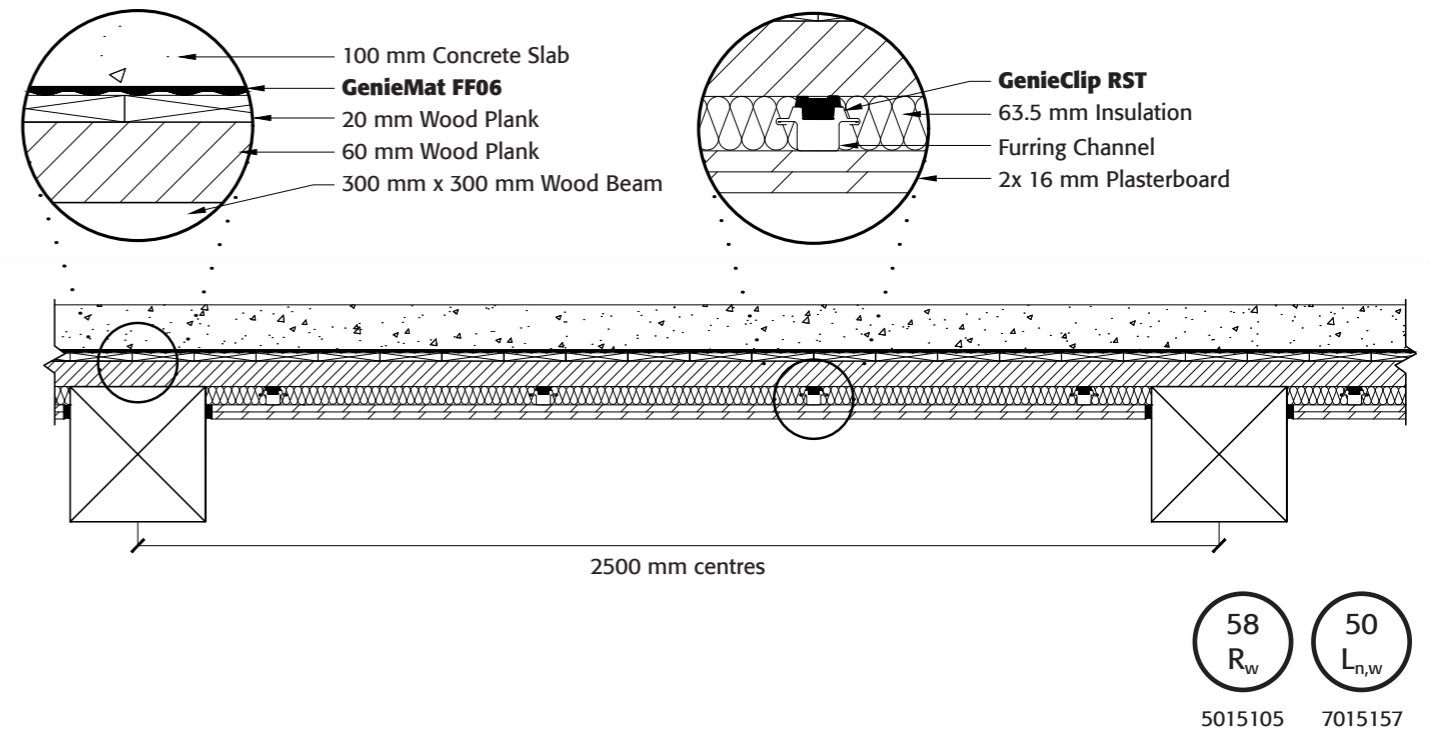
FLOOR-CEILING ASSEMBLIES

TIMBER FLOORS

Cross Laminated Timber



Wood Beam and Plank



GENIECLIP® LB

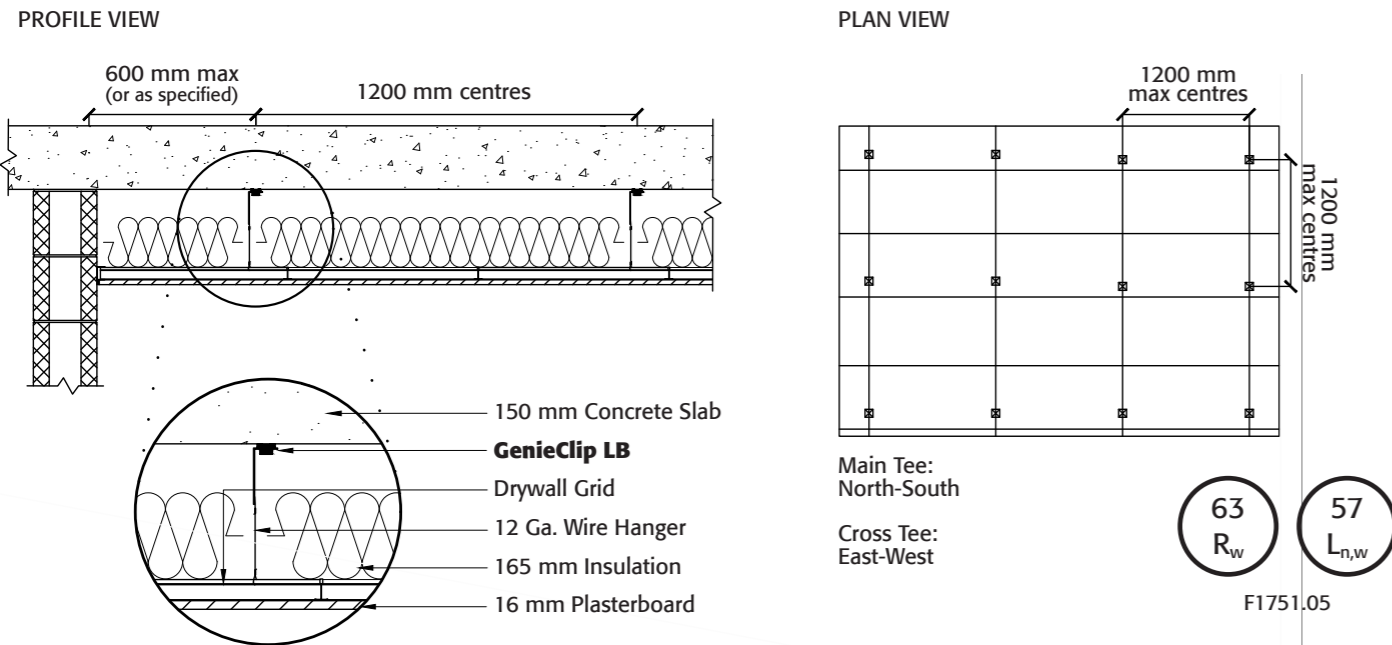


Resilient sound isolation bracket used in a variety of applications where structural support is required, including wall sway bracing, ceiling suspension, and accessory mounting.

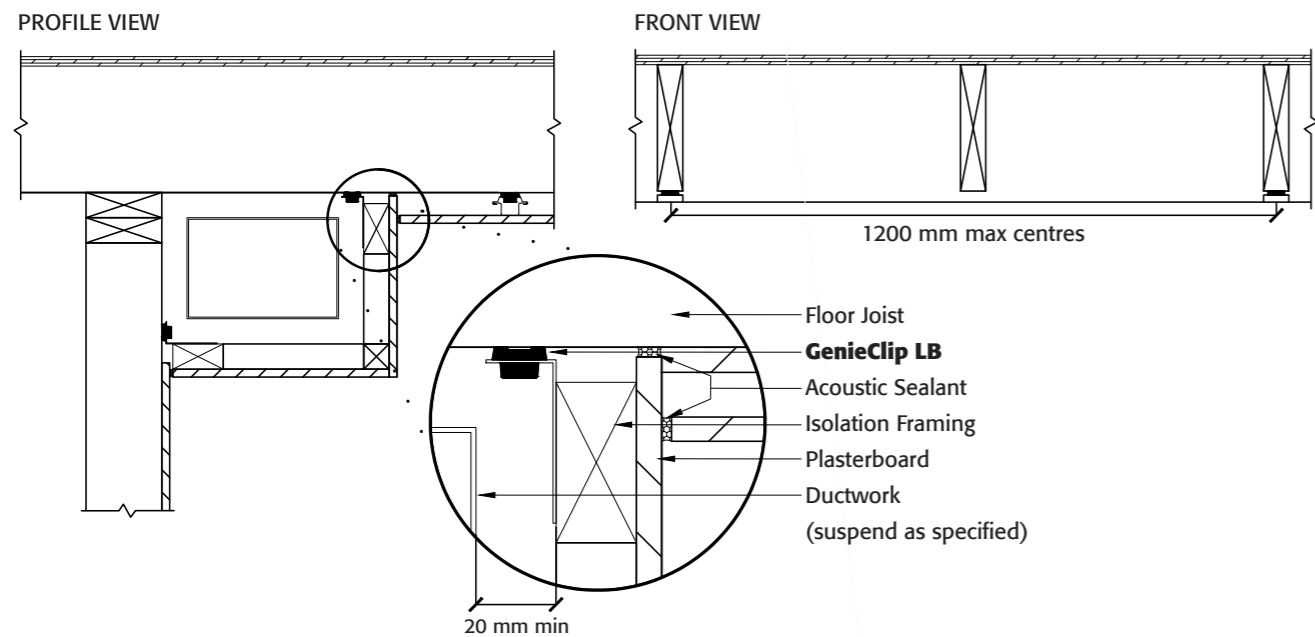
Significantly improves low and high frequency sound control performance. Substantially reduces impact noise in floor-ceiling assemblies. Adaptable to a variety of sound control applications.

Can be installed from the ground using extended gas-powered tools for wire-suspended ceilings.

Isolated Wire Suspended Ceilings



Isolated Framing for Bulkhead Mounting



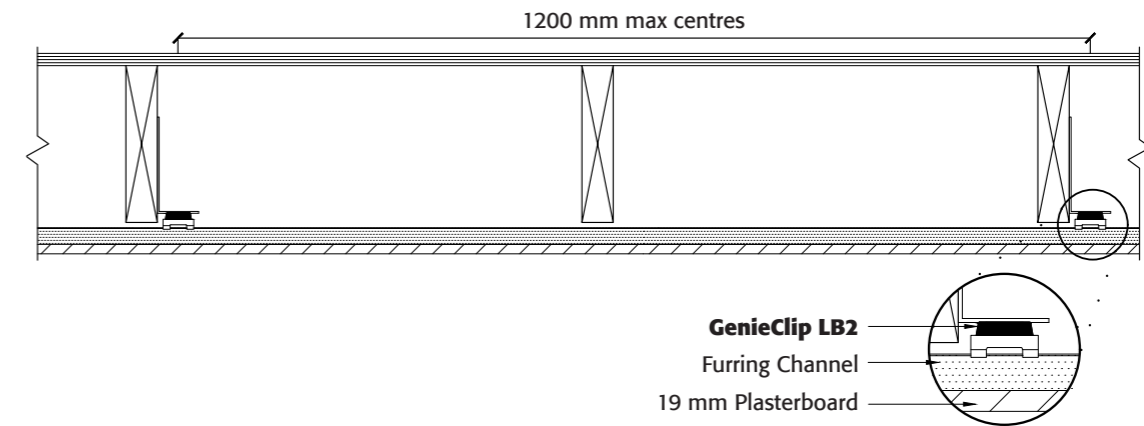
GENIECLIP® LB2



Resilient sound isolation clip with extended steel bracket used as a stand-alone system or in conjunction with a **GenieClip RST** wall or ceiling system. Extends or reduces the profile space between the plasterboard layer and floor joists or wall studs and provides support at the wall termination of furring channel.

Improves low and high frequency sound control performance. Reduces impact noise in floor-ceiling assemblies. Allows for thinner and even no resilient mat used in certain floor-ceiling assemblies.

Levelling a Wood Joist Ceiling

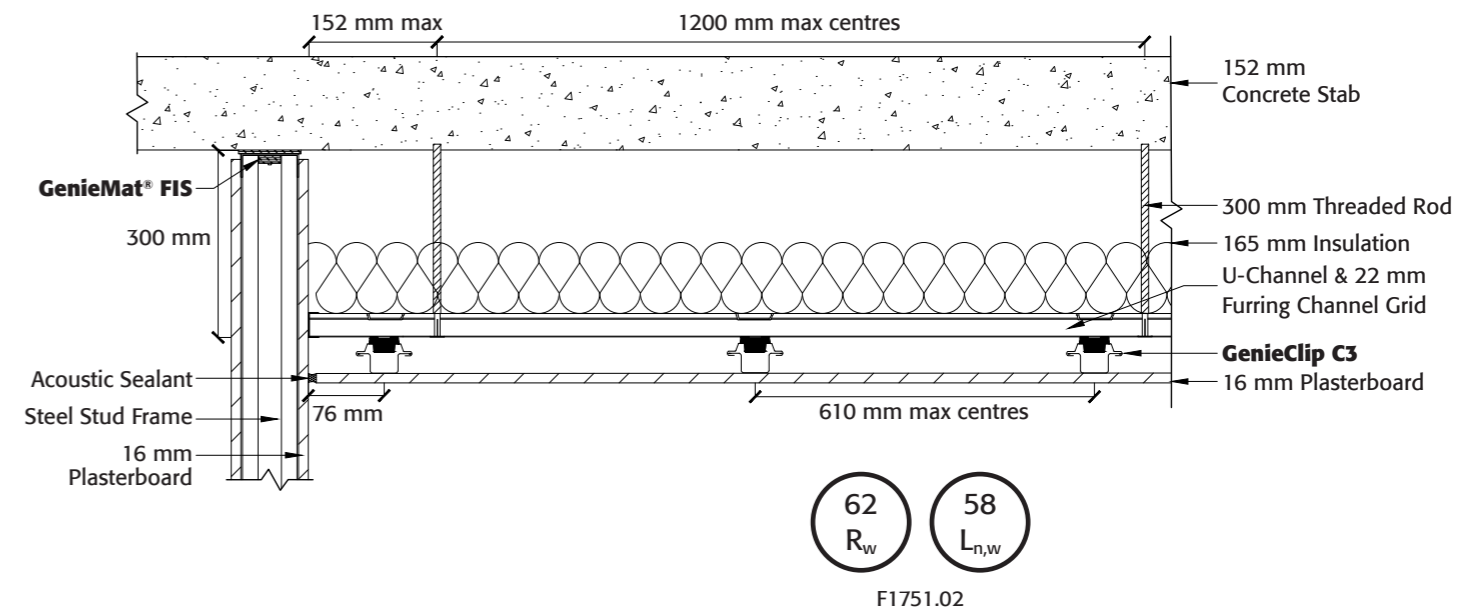


GENIECLIP C3



Ideal for use with threaded rod (black iron) suspended ceilings or when wire isolation cannot be achieved at the structural deck interface.

Isolation of Threaded Rod Ceiling



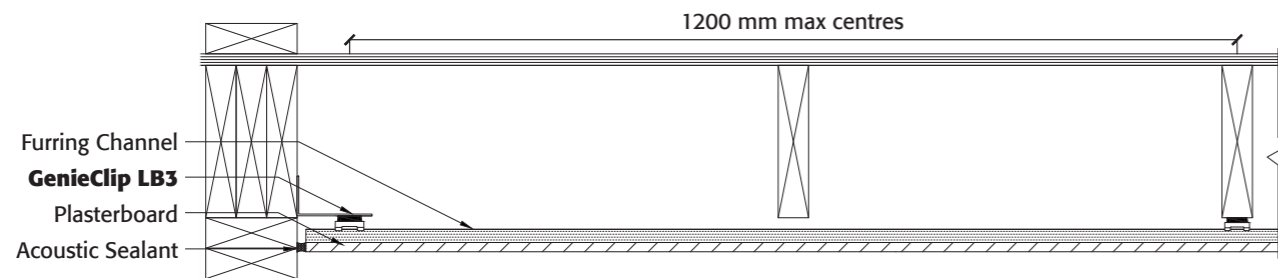
GENIECLIP® LB3



Resilient sound isolation clip with extended steel bracket used as a stand-alone system or in conjunction with a **GenieClip RST** wall or ceiling system. Extends or reduces the profile space between the plasterboard layer and floor joists or wall studs and provides support at the wall termination of furring channels.

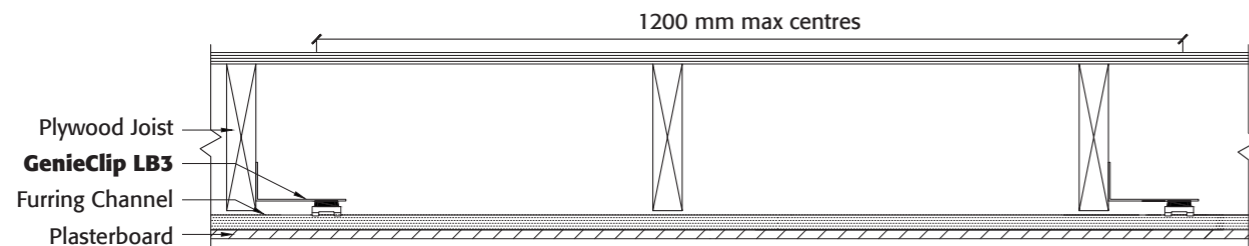
Improves low and high frequency sound control performance. Reduces impact noise in floor-ceiling assemblies. Allows for thinner and even no resilient mat used in certain floor-ceiling assemblies.

Eliminate Perimeter Blocking

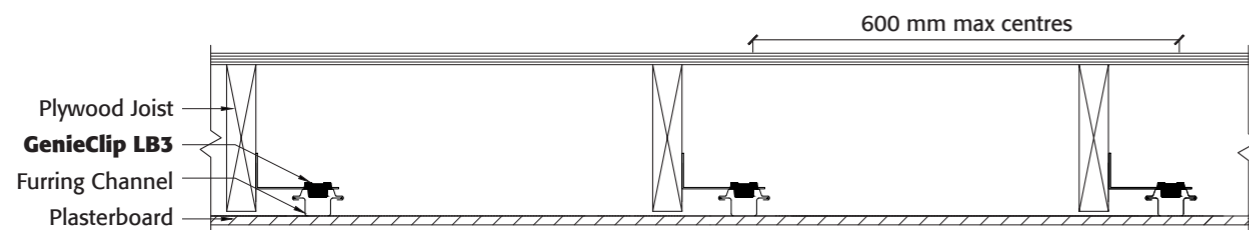


Using the **GenieClip LB3** at the perimeter of an isolated ceiling can eliminate the need for additional wood blocking.

Maximize Ceiling Height



To maximise ceiling height, use the **GenieClip LB3** side-mounted on wood frame construction.



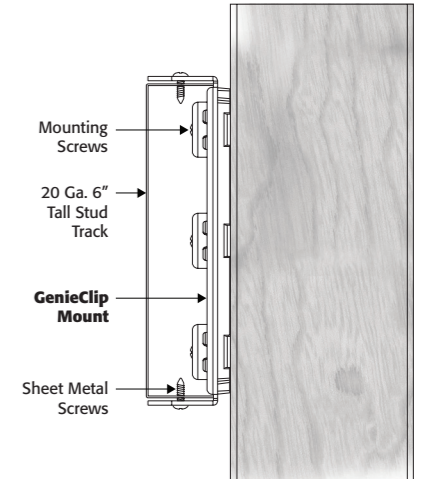
By installing the furring channel parallel to the joist, the **GenieClip LB3** can maximise ceiling height while maintaining isolation.

GENIECLIP® MOUNT

RESILIENT SOUND ISOLATION CLIP FOR HEAVY MOUNTING

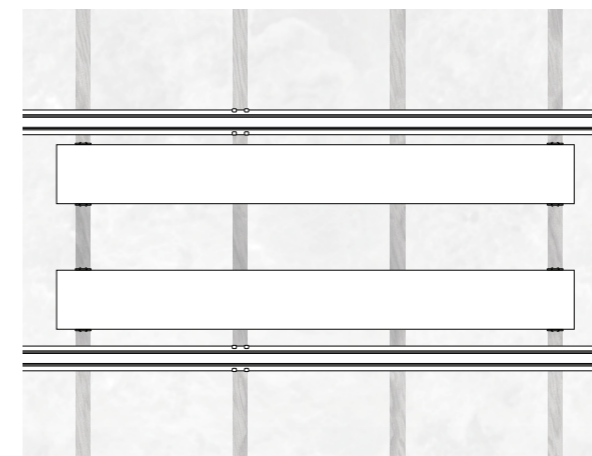
The **GenieClip Mount** is a resilient unibody molded rubber and steel bracket used for sound isolation in a variety of applications where superior structural support is required for installation, such as TVs, kitchen cabinets, headboards, garage door openers, various medical equipment, and handrails.

The **GenieClip Mount** supports, in shear and tension, a piece of 150 mm metal stud track at the same depth as the resiliently isolated plasterboard furring channel.

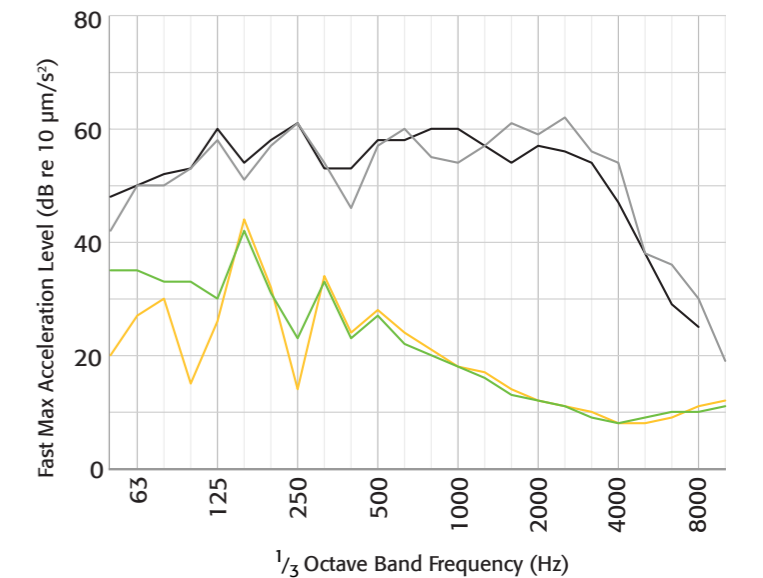


ADVANTAGES

Significantly improves low and high frequency sound control performance. Substantially reduces impact noise from fixtures mounted on walls and ceilings. Easily fastens to standard 150 mm metal stud track.



Front view of installed **GenieClip Mount** and metal stud track.



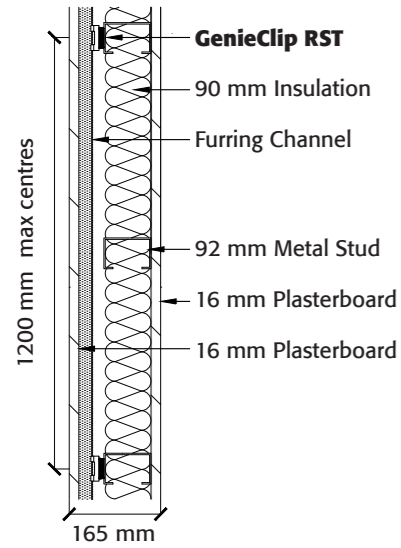
- Accelerometer 1 directly attached to plasterboard at stud (62 dBA)
- Accelerometer 2 directly attached to plasterboard between studs (64 dBA)
- **GenieClip Mount** assembly. Accelerometer 1 directly attached to plasterboard at stud (29 dBA)
- **GenieClip Mount** assembly. Accelerometer 2 directly attached to plasterboard between studs (27 dBA)

Vibration level on receiver room side of wall due to kitchen cabinet door slams with and without **GenieClip Mounts**.

WALL ASSEMBLIES

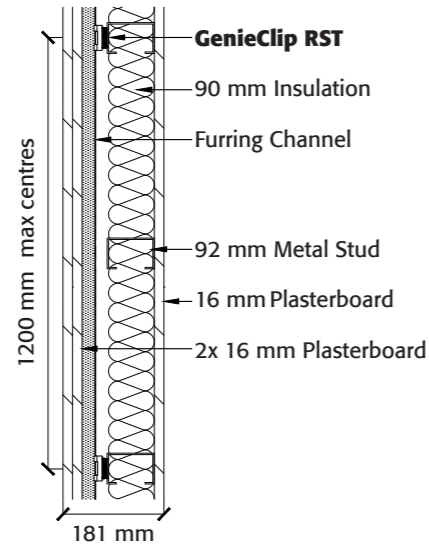
METAL STUD

GenieClip® RST with 2 Layers



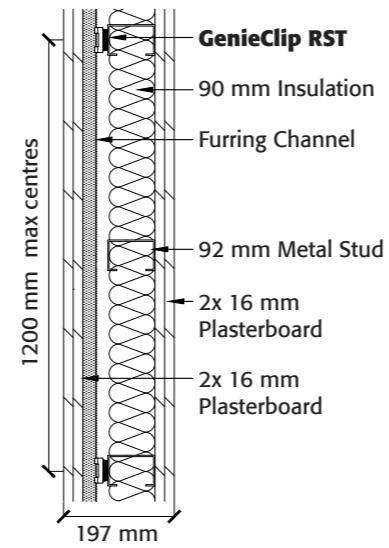
TL07-620
UL Assembly
U419, U423

GenieClip RST with 3 Layers



TL07-617
UL Assembly
U419, U423

GenieClip RST with 4 Layers

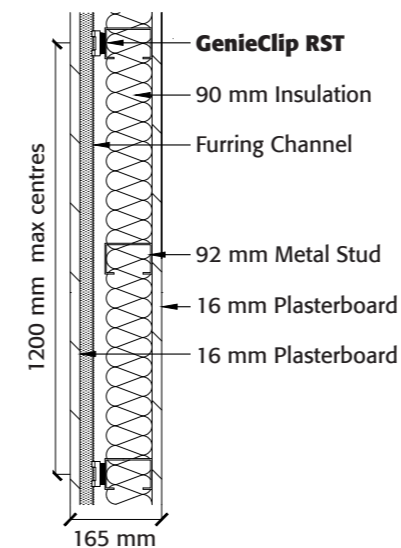


TL07-618
UL Assembly
U419, U423

WALL ASSEMBLIES

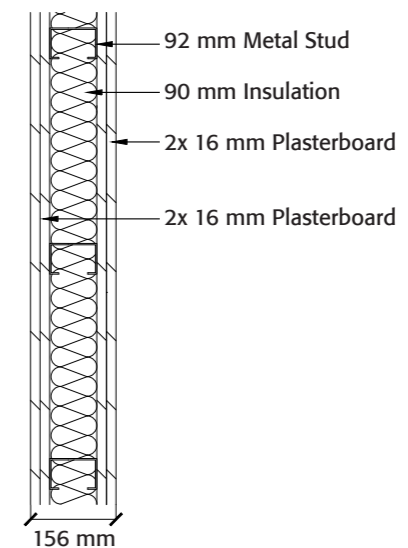
ENGINEERED PARTITIONS

NEW WAY with GenieClip® RST



TL07-620
UL Assembly
U419, U423

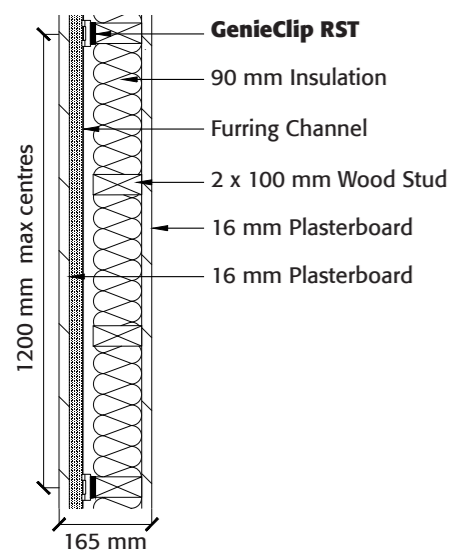
OLD WAY with 4 Layers



TL07-616
UL Assembly
U419, U423

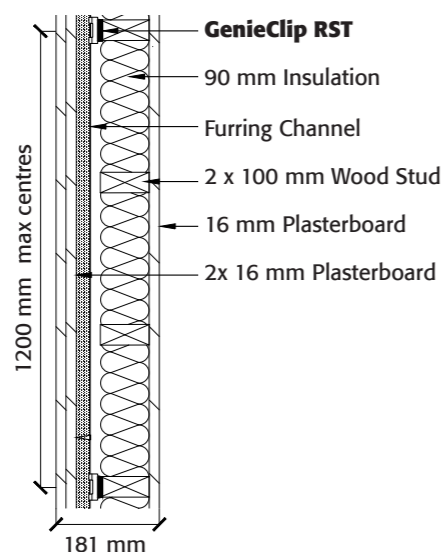
WOOD STUD

GenieClip RST with 2 Layers



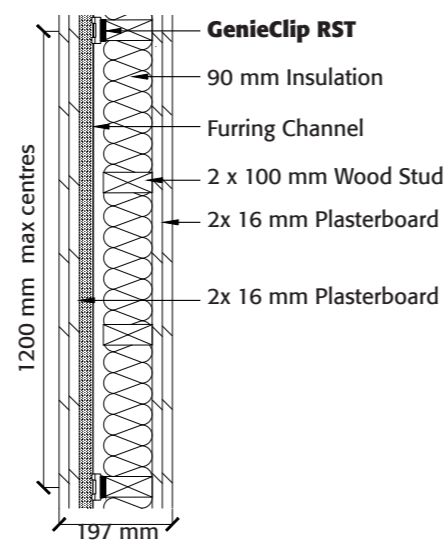
TL07-673
UL Assembly
U305

GenieClip RST with 3 Layers



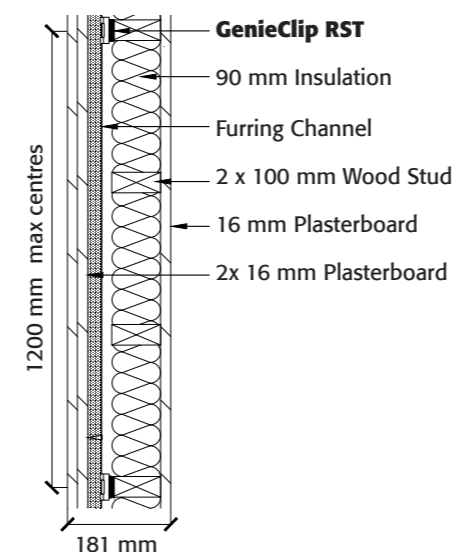
TL07-672
UL Assembly
U305

GenieClip RST with 4 Layers



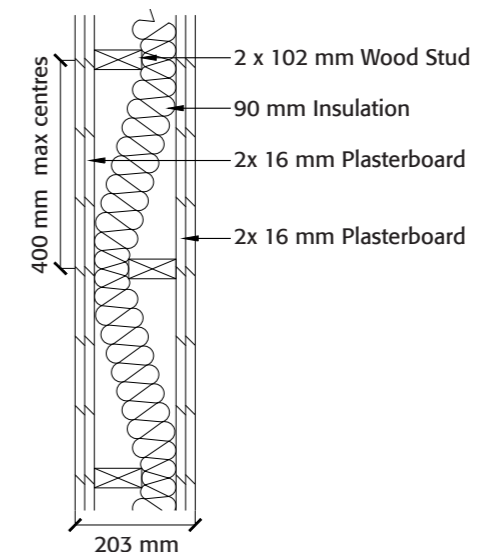
TL07-670
UL Assembly
U305

NEW WAY with GenieClip RST

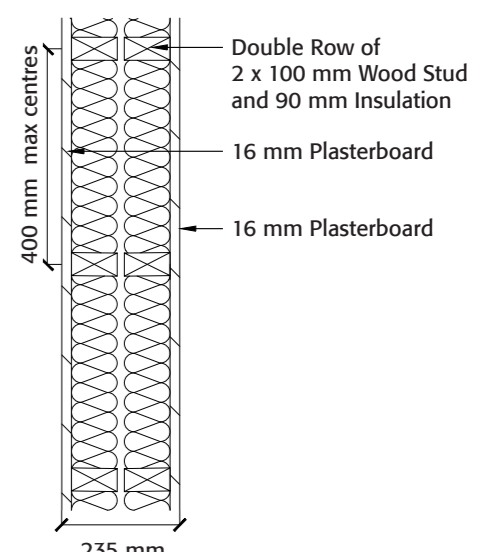


TL07-672
UL Assembly
U305

OLD WAY with Staggered or Double Studs (Metal or Wood)



TL11-121
UL Assembly
U340



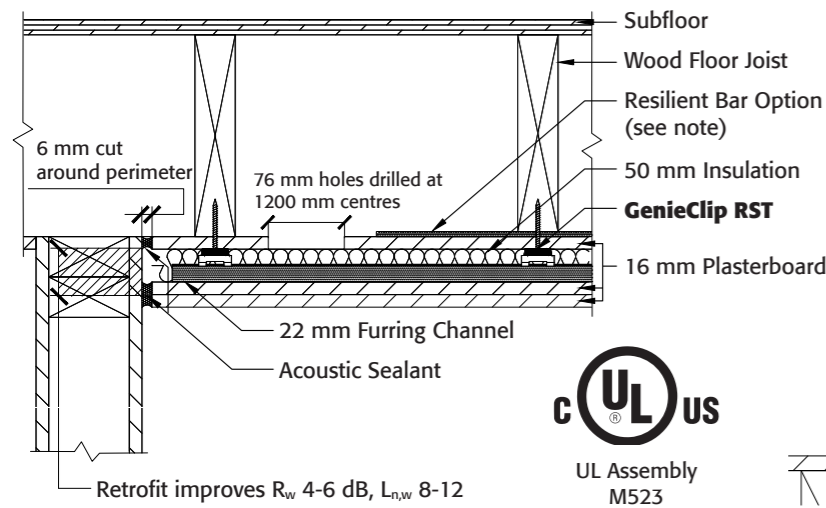
TL11-120
UL Assembly
U341

RETROFIT ASSEMBLIES

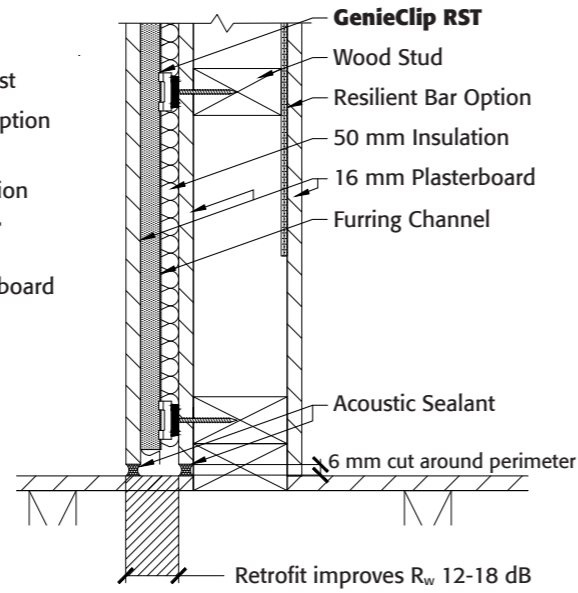
GENIECLIP® BENEFITS

- Improves $L_{n,w}$ by 8-12 dB in floor ceiling retrofit assemblies
- Improves R_w by 12-18 dB in wall retrofit assemblies
- Retrofit directly to existing ceiling or wall
- Greater R_w than other popular retrofit solutions

Floor-Ceiling Assembly



Wall Assembly



Note: Resilient bar failure is a common observation by Acoustic Consultant. Short circuited resilient bar results in up to a R_w 10 dB reduction.

LoVerde, J., & Dong, W. (2009). Quantitative comparisons of resilient channel designs and installation methods.

THE GENIECLIP IS PROVEN TO:

- Meet building standards for fire and sound
- Prevent costly litigation and reconstruction

IMPORTANCE OF ENGINEERED ELASTOMER

ISOLATION CLIP	DUROMETER	DYNAMIC STIFFNESS	R_w^*
GenieClip RST	37	11.3 N/mm	57
Isomax™	56	21.6 N/mm	57**
RSIC-1®	57	21.2 N/mm	55
RSIC-V®	No Rubber	No Rubber	50

*50 x 100 mm wood stud 400 mm centres, 1 layer of 16 mm plasterboard on each side with 90 mm insulation

** Test conducted with 140 mm insulation

TEST RESULTS

FLOOR-CEILING ASSEMBLIES							
TEST REPORT NUMBER	CEILING TYPE	STRUCTURE	FINISH FLOOR	UNDERLAYMENT	SUBFLOOR	R_w	$L_{n,w}$
G0535.08	13 mm RC Deluxe*, 16 mm Plasterboard	Open Web Truss	Vinyl Plank	GenieMat® RST02PS	20 mm Screed, 20 mm OSB	59	60
G0535.09	GenieClip® RST , 16 mm Plasterboard	Open Web Truss	Vinyl Plank	GenieMat RST02PS	20 mm Screed, 20 mm OSB	62	51
G1707.07	GenieClip RST , 16 mm Plasterboard	Open Web Truss	Porcelain Tile	GenieMat RST02PS	20 mm Screed, 20 mm OSB	62	56
G1707.08	GenieClip RST , 16 mm Plasterboard	Open Web Truss	Wood	GenieMat FF06	20 mm Screed, 20 mm OSB	62	50
E5958.16	GenieClip RST , 16 mm Plasterboard	Open Web Truss	Vinyl Plank	GenieMat RST05	20 mm OSB	60	54
E5958.17	GenieClip RST , 16 mm Plasterboard	Open Web Truss	Vinyl Plank	None	20 mm OSB	59	59
F4832.12	GenieClip RST , 2x 12.5 mm Plasterboard	Engineered Joist	None	None	40 mm Screed, GenieMat FF25 , 20 mm OSB	61	51
F4832.14	GenieClip RST , 2x 12.5 mm Plasterboard	Engineered Joist	Wood	GenieMat RST02	13 mm Plywood, 20 mm OSB	58	49
F4832.18	GenieClip RST , 2x 12.5 mm Plasterboard	Engineered Joist	Porcelain Tile	GenieMat RST02	13 mm Plywood, 20 mm OSB	59	55
F5500.03	GenieClip RST , 2x 12.5 mm Plasterboard	Engineered Joist	Vinyl Plank	GenieMat RST02	13 mm Plywood, 20 mm OSB	60	49
F5500.05	GenieClip RST , 2x 12.5 mm Plasterboard	Engineered Joist	Carpet	None	13 mm Plywood, 20 mm OSB	60	22
5013136 7013208	GenieClip RST , 12.5 mm Plasterboard	50 x 250 mm Solid Wood Joist	Ceramic Tile	GenieMat RST02	16 mm Plywood, 13 mm Plywood	57	58
5013143 7013216	GenieClip RST , 12.5 mm Plasterboard	50 x 250 mm Solid Wood Joist	Vinyl Plank	GenieMat RST02	16 mm Plywood, 13 mm Plywood	54	59
5013119 7013183	GenieClip RST Retrofit	50 x 250 mm Solid Wood Joist	Ceramic Tile	GenieMat RST02	16 mm Plywood, 13 mm Plywood	58	54
5014139 7014190	GenieClip RST , 12.5 mm Plasterboard	50 x 250 mm Solid Wood Joist	None	GenieMat RST02	20 mm Screed, GenieMat FF06 , 16 mm Plywood	59	58

* RC Deluxe is a brand of resilient bar

TEST RESULTS

FLOOR-CEILING ASSEMBLIES							
TEST REPORT NUMBER	CEILING TYPE	STRUCTURE	FINISH FLOOR	UNDERLAYMENT	SUBFLOOR	R _w	L _{n,w}
E5958.05	150 mm Drop Ceiling, GenieClip® LB , 16 mm Plasterboard	180 mm CLT	None	None	2x 18 mm AdvanTech Wood Subfloor, GenieMat® FF25	62	52
E5958.07	305 mm Drop Ceiling, GenieClip LB , 16 mm Plasterboard	180 mm CLT	Vinyl Plank	GenieMat RST05	None	57	51
F2761.08	GenieClip RST , 16 mm Plasterboard	180 mm CLT	Wood	GenieMat RST02	None	53	59
F2761.09	GenieClip RST , 16 mm Plasterboard	180 mm CLT	Porcelain Tile	GenieMat RST12	None	55	59
F3052.11	12.5 mm Plasterboard, GenieClip RST , 16 mm Plasterboard	400 mm Insulated Concrete Form	None	None	None	63	52
F3052.12	12.5 mm Plasterboard, GenieClip RST , 16 mm Plasterboard	400 mm Insulated Concrete Form	Wood	GenieMat RST05	30 mm Screed, 14 mm Steel Deck	62	45
F2761.04	GenieClip RST , 16mm Plasterboard	250 mm Steel Joist	None	10 mm Sound Mat	30 mm Screed, 14 mm Steel Deck	59	58
F5689.18	GenieClip RST , 2x 16 mm Plasterboard	250 mm Steel Joist	Porcelain Tile	GenieMat RST12	None	62	60
F5689.20	GenieClip RST , 2x 16 mm Plasterboard	250 mm Steel Joist	Vinyl Plank	GenieMat RST02	None	60	58
F5689.05	GenieClip RST , 16 mm Plasterboard	100 mm Composite Deck	Vinyl Plank	GenieMat RST02	None	55	56
F5689.06	GenieClip RST , 16 mm Plasterboard	100 mm Composite Deck	Wood	GenieMat RST05	None	56	56
F0223.05	GenieClip RST , 16 mm Plasterboard	200 mm Hollow Core Plank	Vinyl Plank	GenieMat RST05	None	62	48
F0223.06	GenieClip RST , 16 mm Plasterboard	200 mm Hollow Core Plank	None	None	None	62	55
F0223.08	GenieClip RST , 16 mm Plasterboard	200 mm Hollow Core Plank	Porcelain Tile	GenieMat RST05	None	60	49
F1751.01	300 mm Drop Ceiling, 16 mm Plasterboard	152 mm Concrete Slab	None	None	None	62	64
F1751.02	300 mm Drop Ceiling, GenieClip C3 , 16 mm Plasterboard	152 mm Concrete Slab	None	None	None	62	58
F1751.05	300 mm Drop Ceiling, GenieClip LB , 16 mm Plasterboard	152 mm Concrete Slab	None	None	None	63	57
F1751.03	300 mm Drop Ceiling, GenieClip C3 , 16 mm Plasterboard	152 mm Concrete Slab	Wood	GenieMat RST05	None	62	42
F1751.04	300 mm Drop Ceiling, GenieClip LB , 16 mm Plasterboard	152 mm Concrete Slab	Wood	GenieMat RST05	None	62	41
F9365.07	150 mm Drop Ceiling, GenieClip LB , 16 mm Plasterboard	152 mm Concrete Slab	Vinyl Plank	GenieMat RST02PS	None	62	50

TEST RESULTS

STEEL STUD WALL ASSEMBLIES						
TEST REPORT NUMBER	PRODUCT	STEEL STUD WALL STRUCTURE	PLASTERBOARD LAYERS (16 mm)	TL @80 Hz (dB)	TL @100 Hz (dB)	R _w
TL07-614	None	20 Ga., 92 mm wide spaced 600 mm centres	1x1	14	18	43
TL07-620	GenieClip® RST	20 Ga., 92 mm wide spaced 600 mm centres	1x1	17	25	55
TL07-625	RC Deluxe®*	20 Ga., 92 mm wide spaced 600 mm centres	1x1	13	23	50
TL07-629	RSIC-1***	20 Ga., 92 mm wide spaced 600 mm centres	1x1	15	24	53
TL07-633	RSIC-V***	20 Ga., 92 mm wide spaced 600 mm centres	1x1	12	23	50
TL07-615	None	20 Ga., 92 mm wide spaced 600 mm centres	2x1	16	23	46
TL07-626	RC Deluxe*	20 Ga., 92 mm wide spaced 600 mm centres	2x1	19	30	55
TL07-617	GenieClip RST	20 Ga., 92 mm wide spaced 600 mm centres	2x1	24	31	59
TL07-630	RSIC-1**	20 Ga., 92 mm wide spaced 600 mm centres	2x1	22	32	59
TL07-634	RSIC-V**	20 Ga., 92 mm wide spaced 600 mm centres	2x1	17	29	55
TL07-616	None	20 Ga., 92 mm wide spaced 600 mm centres	2x2	18	24	48
TL07-627	RC Deluxe*	20 Ga., 92 mm wide spaced 600 mm centres	2x2	28	36	60
TL07-618	GenieClip RST	20 Ga., 92 mm wide spaced 600 mm centres	2x2	32	37	63
TL07-631	RSIC-1**	20 Ga., 92 mm wide spaced 600 mm centres	2x2	30	38	63
TL07-635	RSIC-V**	20 Ga., 92 mm wide spaced 600 mm centres	2x2	28	36	60
TL09-600	2x GenieClip RST	20 Ga., 92 mm wide spaced 600 mm centres	1x1	22	28	57
TL09-601	2x GenieClip RST	20 Ga., 92 mm wide spaced 600 mm centres	2x1	28	36	62
TL09-602	2x GenieClip RST	20 Ga., 92 mm wide spaced 600 mm centres	2x2	35	42	66

* RC Deluxe is a brand of resilient bar

** RSIC-V and RSIC-1 are both brands of isolation clips

TEST RESULTS

WOOD STUD WALL ASSEMBLIES						
TEST REPORT NUMBER	PRODUCT	WOOD STUD WALL STRUCTURE	PLASTERBOARD LAYERS (16 mm)	TL @80 Hz (dB)	TL @100 Hz (dB)	R _w
TL07-674	None	50 x 100 mm spaced at 400 mm centres	1x1	23	23	38
TL07-673	GenieClip® RST	50 x 100 mm spaced at 400 mm centres	1x1	20	27	55
TL07-754	RC Deluxe®*	50 x 100 mm spaced at 400 mm centres	1x1	15	20	49
TL07-753	RSIC-1®**	50 x 100 mm spaced at 400 mm centres	1x1	17	25	55
TL07-746	RSIC-V®**	50 x 100 mm spaced at 400 mm centres	1x1	14	22	50
TL07-672	GenieClip RST	50 x 100 mm spaced at 400 mm centres	2x1	27	33	60
TL07-740	None	50 x 100 mm spaced at 400 mm centres	2x1	25	25	39
TL07-744	RC Deluxe*	50 x 100 mm spaced at 400 mm centres	2x1	19	25	54
TL07-752	RSIC-1**	50 x 100 mm spaced at 400 mm centres	2x1	25	30	60
TL07-747	RSIC-V**	50 x 100 mm spaced at 400 mm centres	2x1	22	28	56
TL07-670	GenieClip RST	50 x 100 mm spaced at 400 mm centres	2x2	31	39	63
TL07-741	None	50 x 100 mm spaced at 400 mm centres	2x2	27	28	42
TL07-743	RC Deluxe*	50 x 100 mm spaced at 400 mm centres	2x2	25	30	59
TL07-751	RSIC-1**	50 x 100 mm spaced at 400 mm centres	2x2	30	35	63
TL07-748	RSIC-V**	50 x 100 mm spaced at 400 mm centres	2x2	28	33	61
TL10-644	GenieClip RST	50 x 100 mm spaced at 400 mm centres	1x1 +1 layer	16	17	48
TL10-697	GenieClip RST	50 x 100 mm spaced at 400 mm centres	2x1 +1 layer	17	24	53
TL11-120	None	Double Stud 50 x 100 mm spaced 400 mm centres, 25 mm air gap	1x1	32	35	61
TL11-121	None	Staggered Stud 50 x 100 mm spaced 200 mm centres	2x2	29	36	47

* RC Deluxe is a brand of resilient bar

** RSIC-V and RSIC-1 are both brands of isolation clips

CONTACT US

For Your Project Specific Questions

Australia +61 390187696 | **Middle East** +971 4 813 5501 | **UK** +44 203 9846444

E. info@pliteq.com.au

© Pliteq Asia Pacific PTE LTD. 2021.

®™ Trademarks of Pliteq Inc. The information provided is accurate to the best of our knowledge at the time of issue. However, we reserve the right to make changes when necessary without further notification. Suggested application may need to be modified to conform with local building codes and conditions. We cannot accept responsibility for products that are not used, or installed, to our specifications. All listed dimensions are nominal.



www.pliteq.com.au